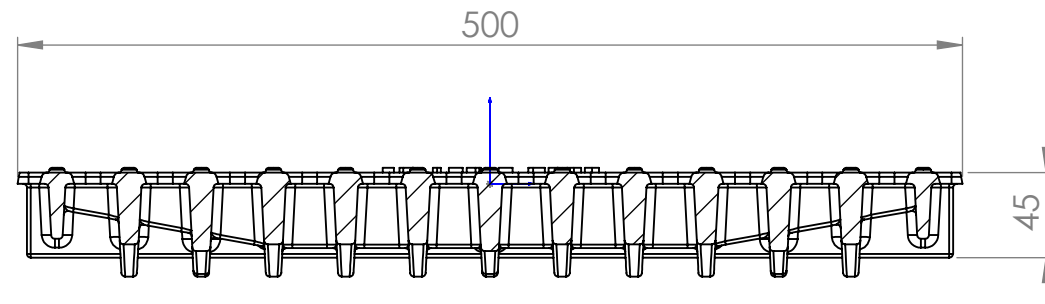
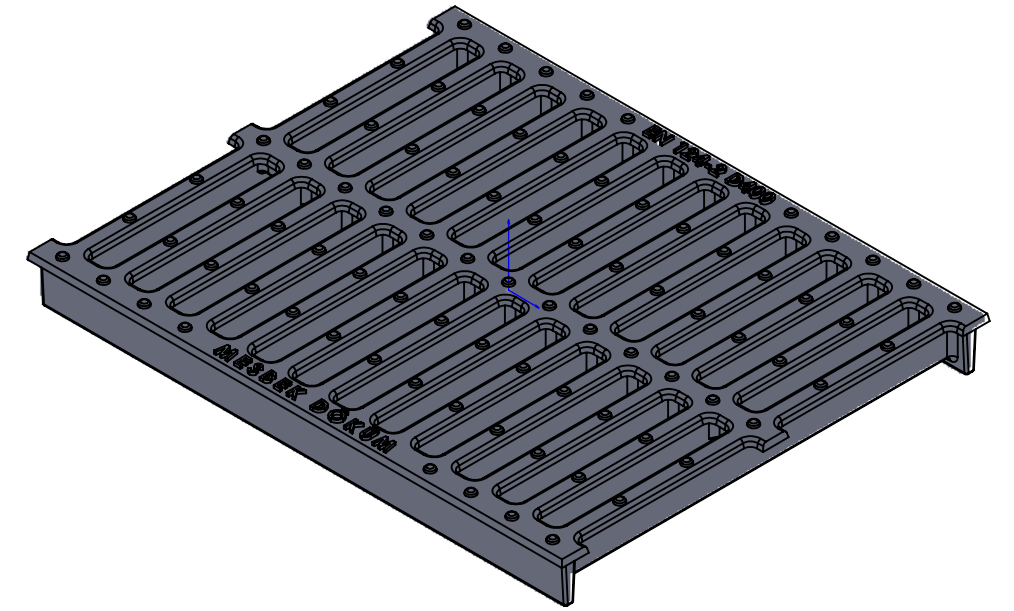


KESIT A-A
ÖLÇEK 1 : 4



KESIT C-C
ÖLÇEK 1 : 4

mesbek			
DESIGNER	M.DURSUN	PRODUCT NAME	
DESIGN DATE	19.10.2018	KANAL IZGARASI	
DESCRIPTION		PRODUCT CODE	ID 2549-16
400X500X45 D 400		PROJECT CODE	E.0006
		CLASS	D 400
		STANDART	EN 124-2
REVISION		MATERIAL	GGG 50
REVISION DATE		WEIGHT	23 Kg