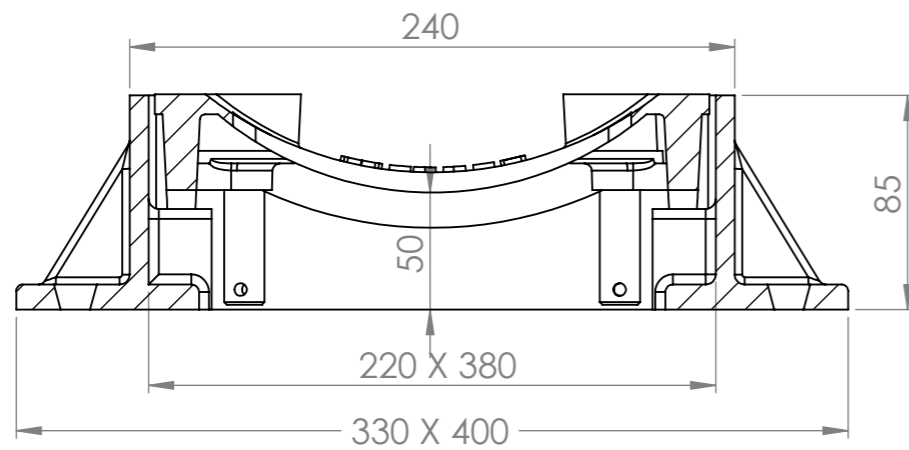


KESİT A-A
ÖLÇEKLE 1 : 3



mesbek			
DESIGNER	M.DURSUN	PRODUCT NAME	
DESIGN DATE	11.10.2018	OLUKLU IZGARA TAKIMI	
DESCRIPTION		PRODUCT CODE	MES 2361
		PROJECT CODE	
		CLASS	C 250
		STANDART	EN 124-2
REVISION		MATERIAL	GGG 50
REVISION DATE		WEIGHT	19 Kg