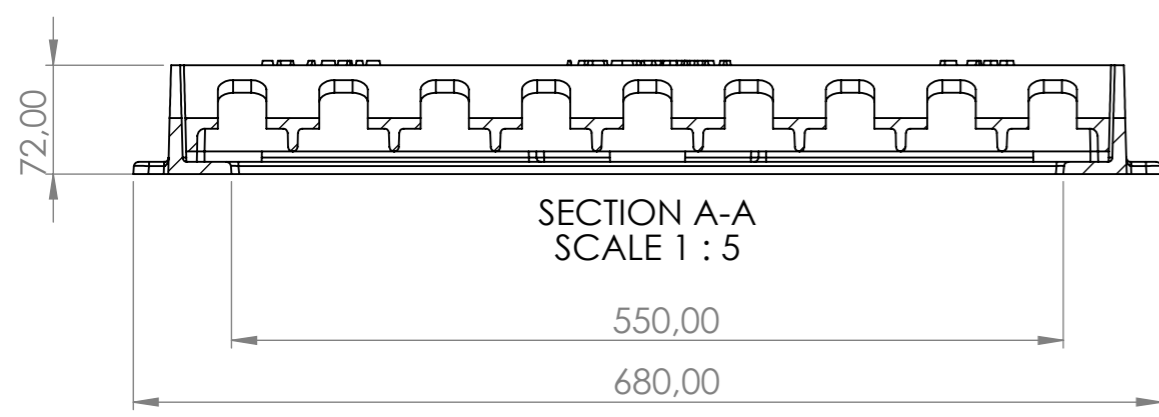
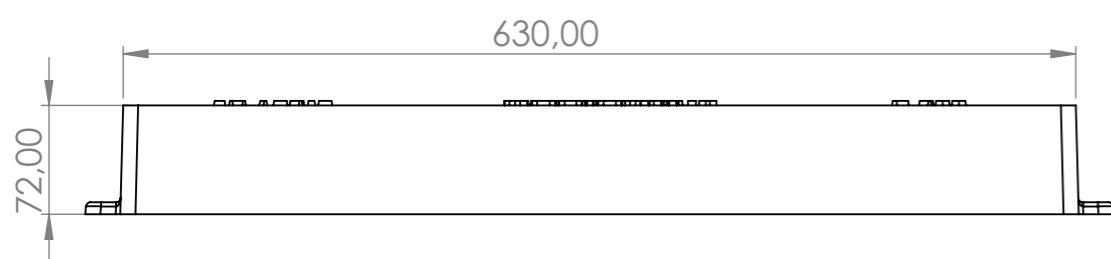
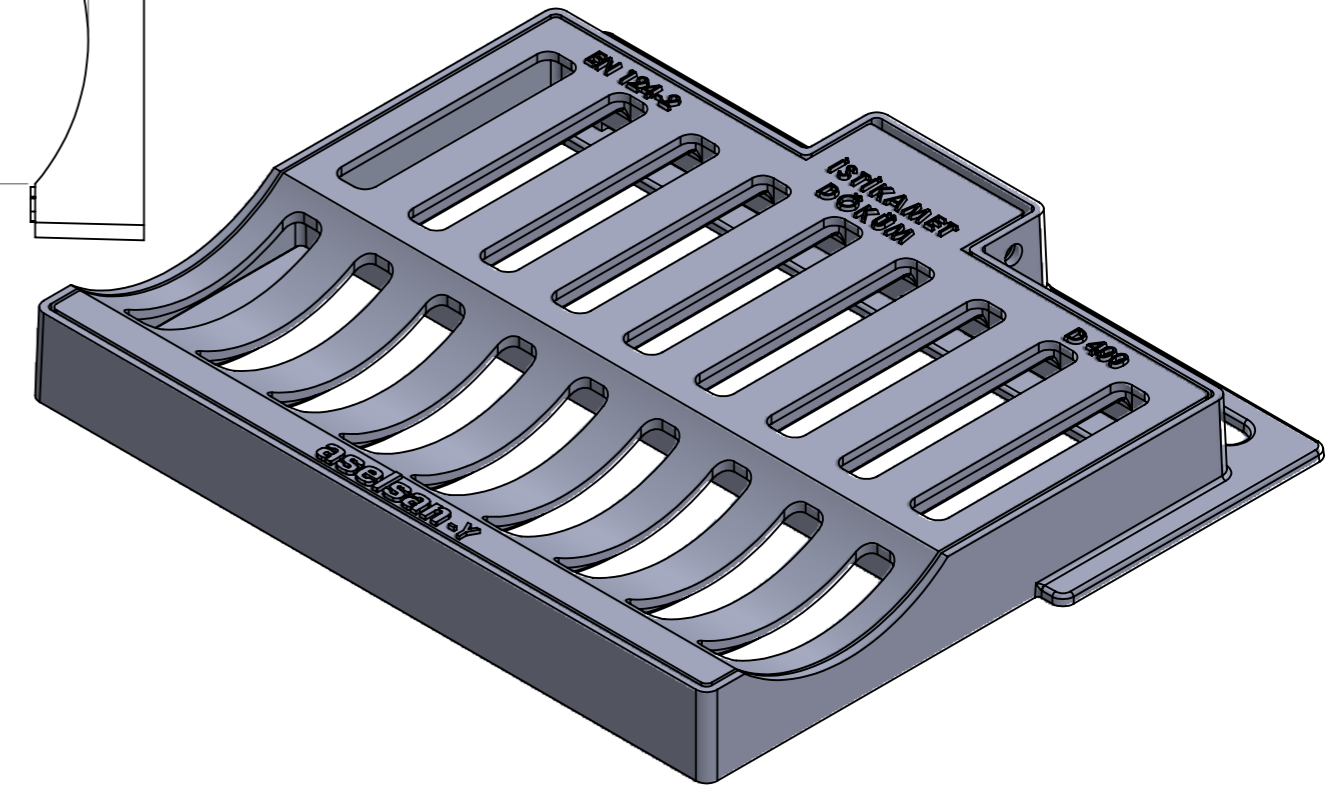
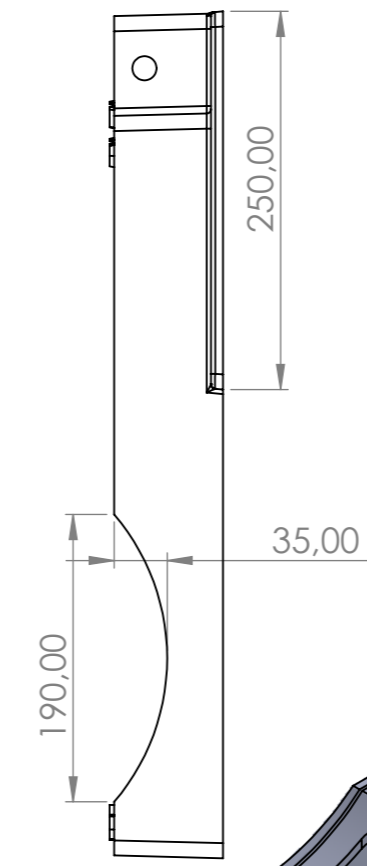


SECTION B-B
SCALE 1 : 5



mesbek			
DESIGNER	M.DURSUN	PRODUCT NAME	
DESIGN DATE	5.10.2021	IZGARA TAKIMI	
DESCRIPTION		PRODUCT CODE	MES2343
		PROJECT CODE	
		CLASS	D 400
		STANDART	EN 124-2
REVISION		MATERIAL	GGG 50
REVISION DATE		WEIGHT	40 KG