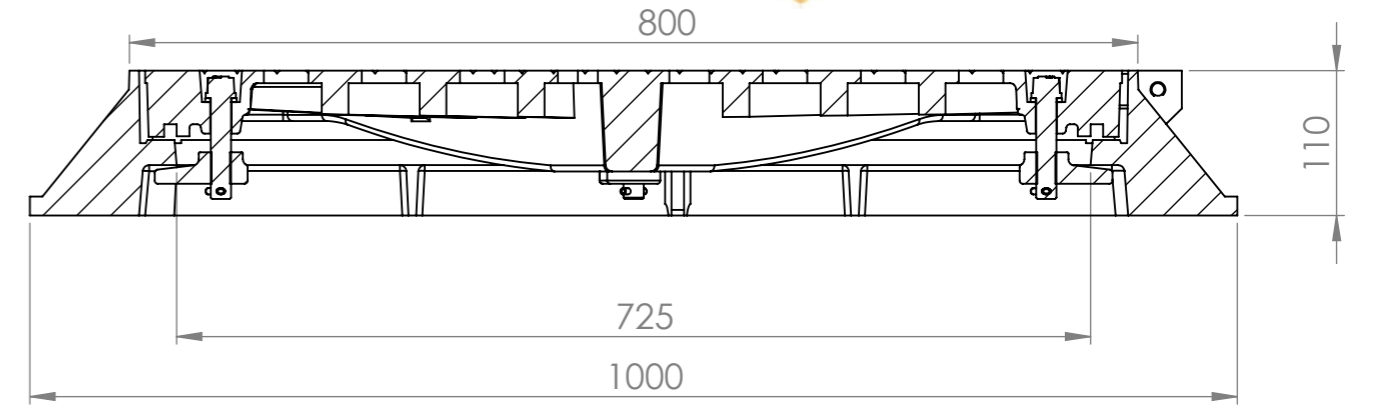
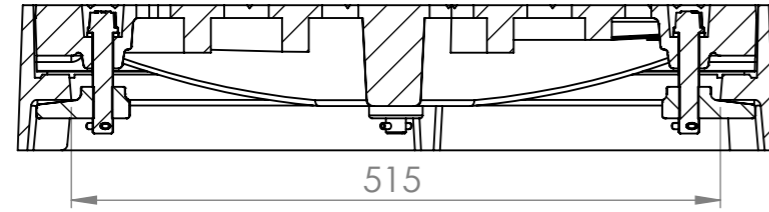
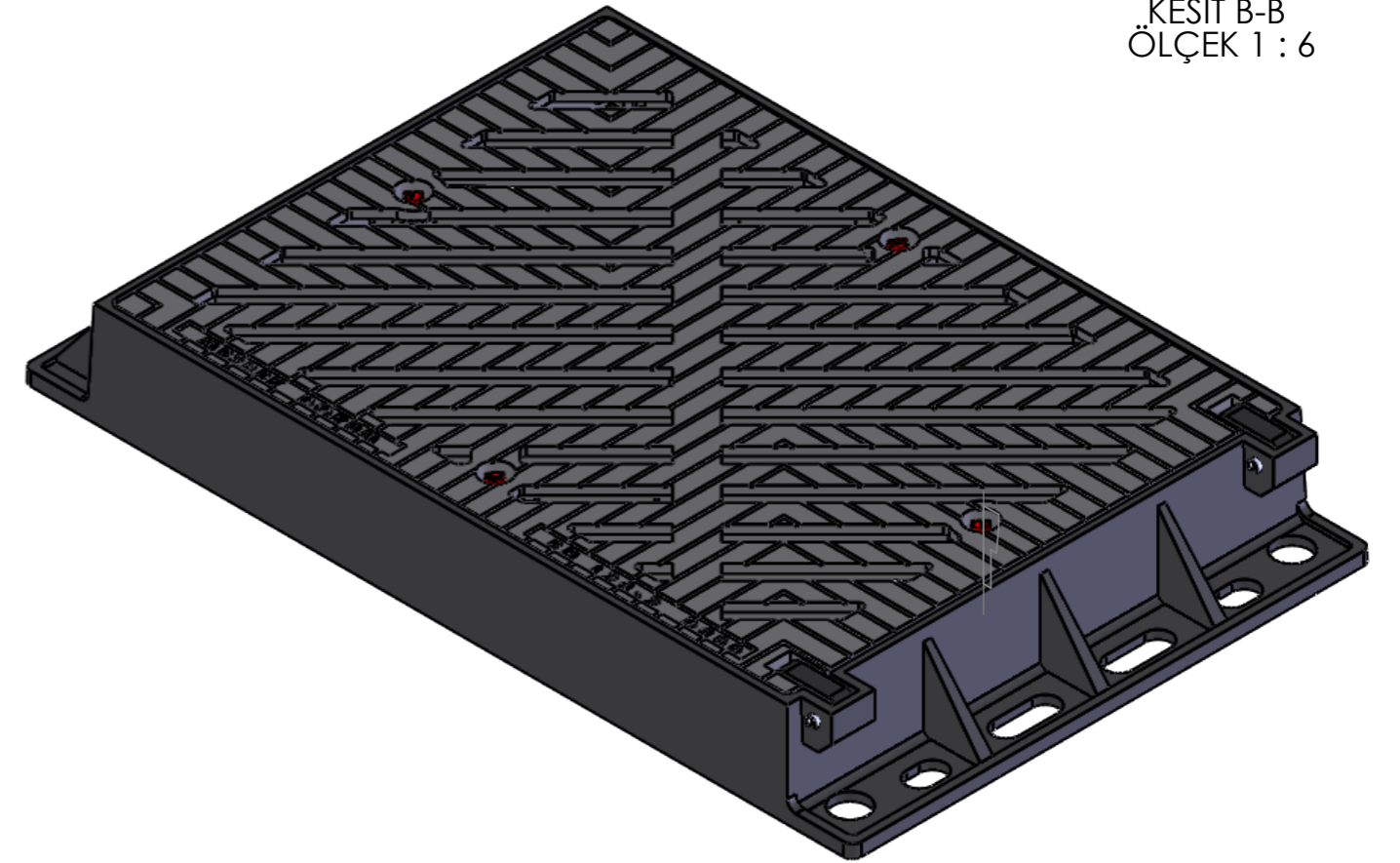
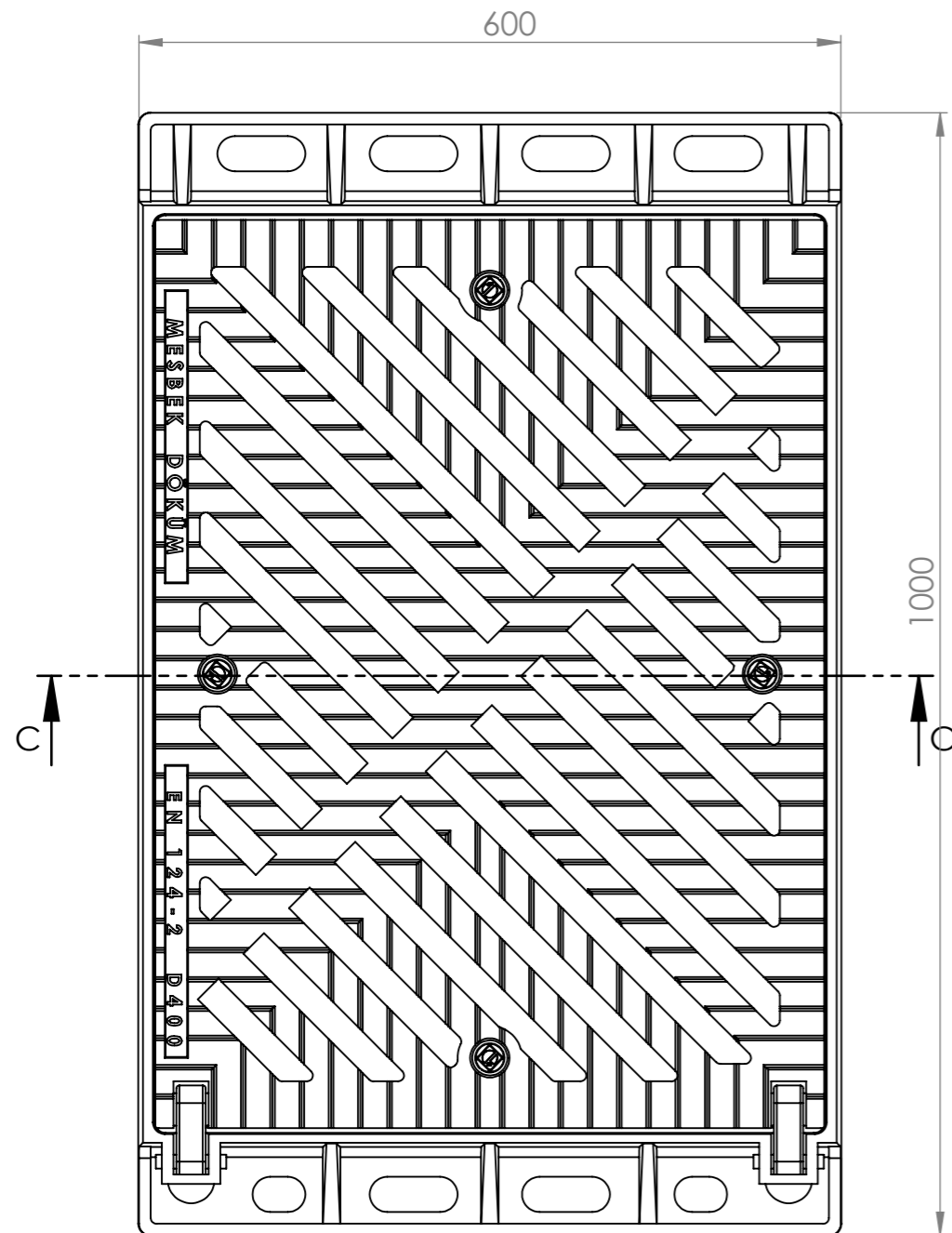


KESIT C-C
ÖLÇEK 1 : 6



KESIT B-B
ÖLÇEK 1 : 6



mesbek			
DESIGNER	M.DURSUN	PRODUCT NAME	
DESIGN DATE	10.10.2018	IZGARA TAKIMI	
DESCRIPTION		PRODUCT CODE	MES 2021
		PROJECT CODE	
		CLASS	D 400
		STANDART	EN 124-2
REVISION		MATERIAL	GGG 50
REVISION DATE		WEIGHT	100±3 Kg