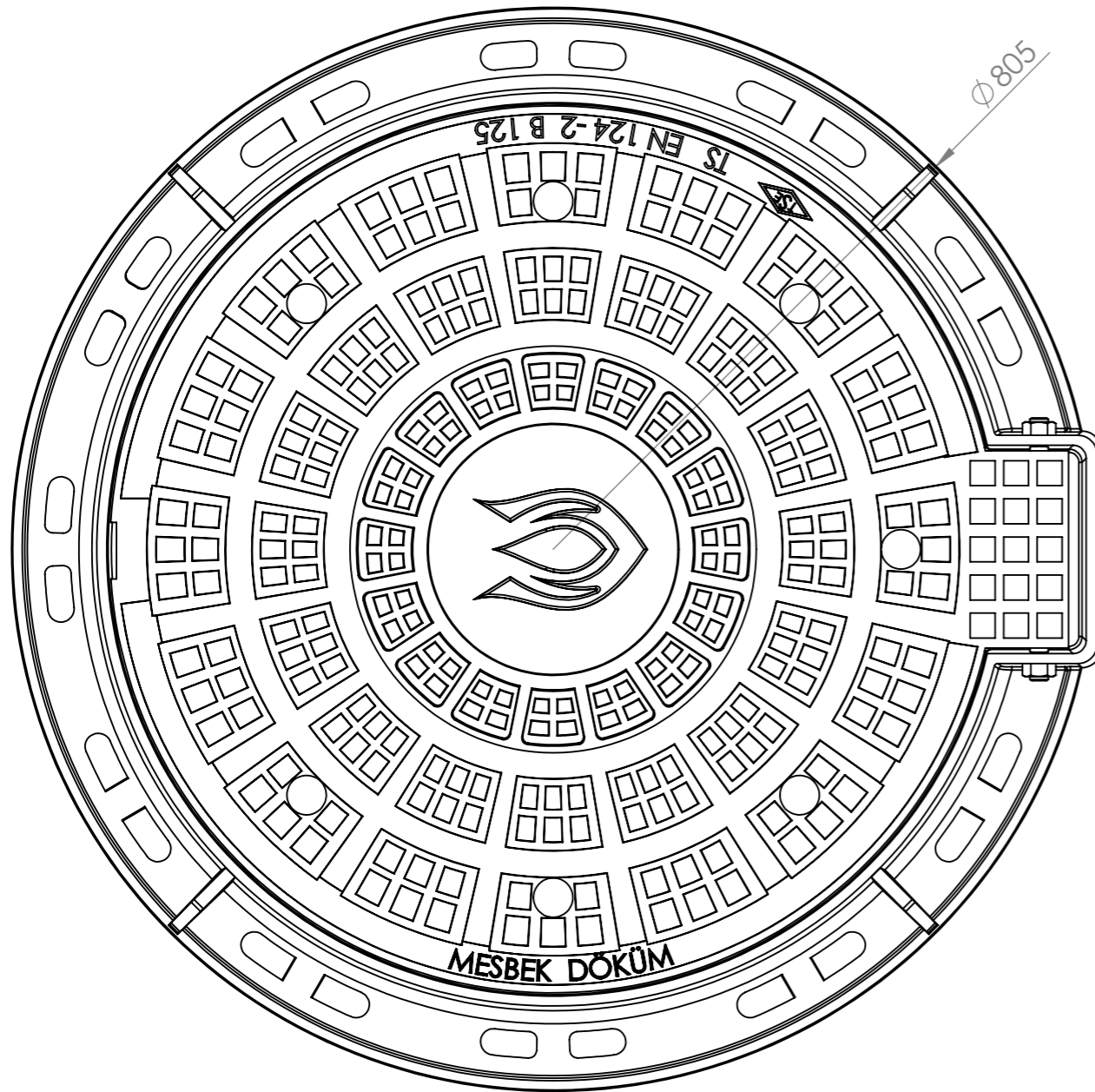
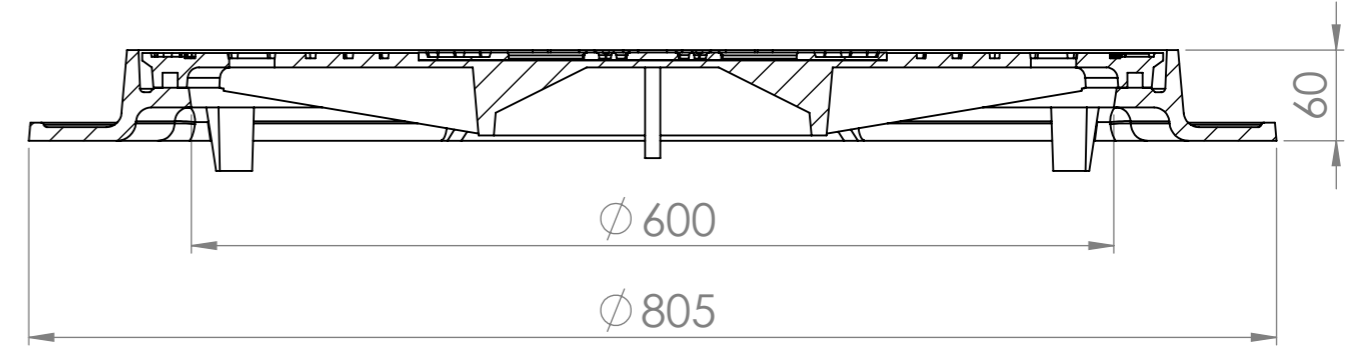
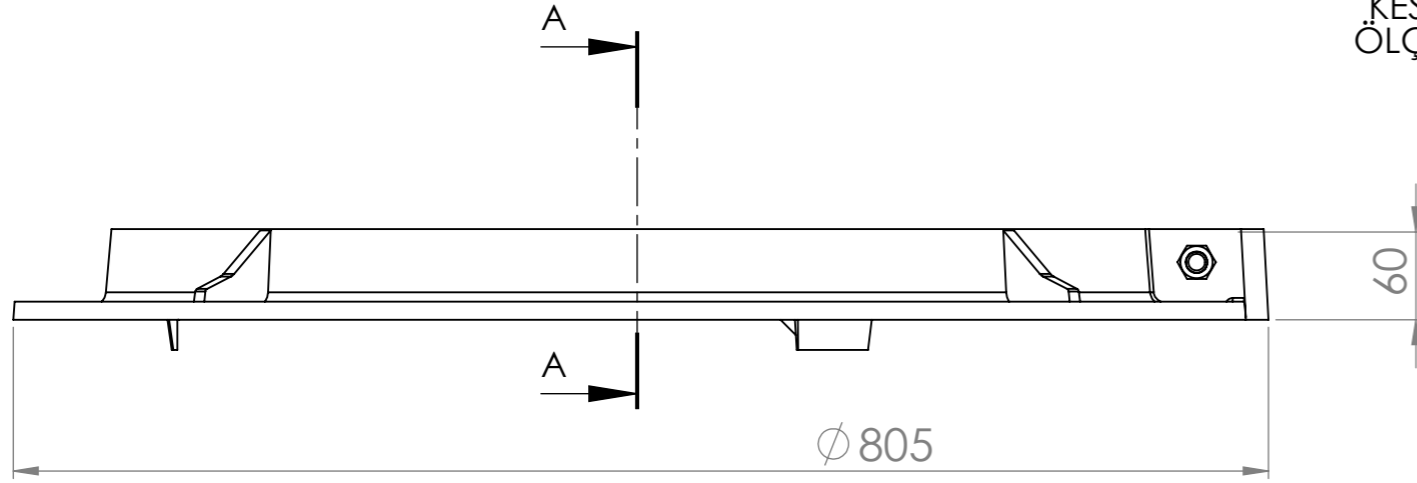


KESIT A-A
ÖLÇEK 1 : 5



mesbek			
DESIGNER	Duhan DOZAKCI	PRODUCT NAME	
DESIGN DATE	03.10.2018	BACA KAPAĞI TAKIMI	
DESCRIPTION		PRODUCT CODE	MES 1056
		PROJECT CODE	
		CLASS	B125
		STANDART	EN 124-2
REVISION		MATERIAL	GGG 50
REVISION DATE		WEIGHT	46kg±3