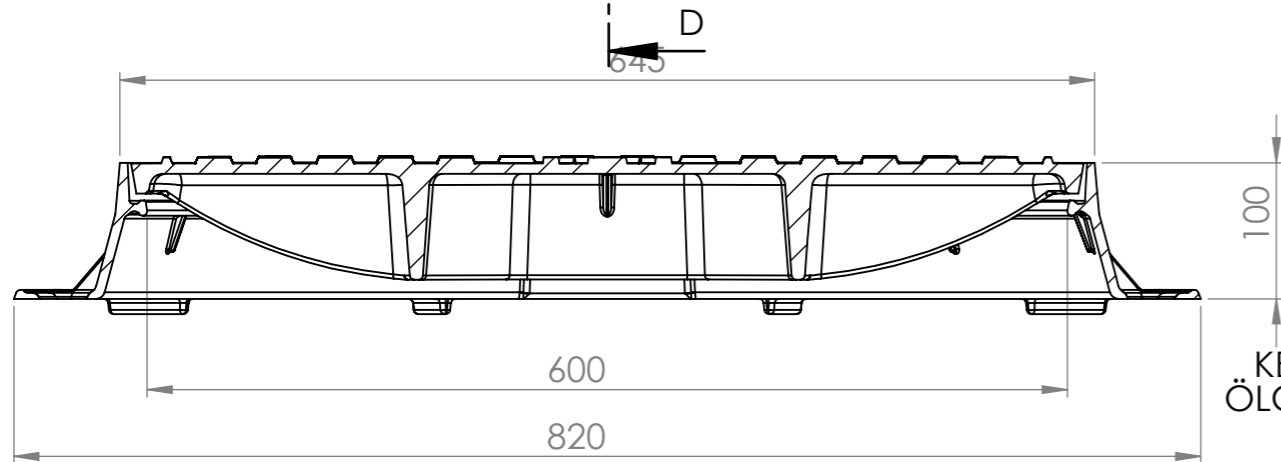
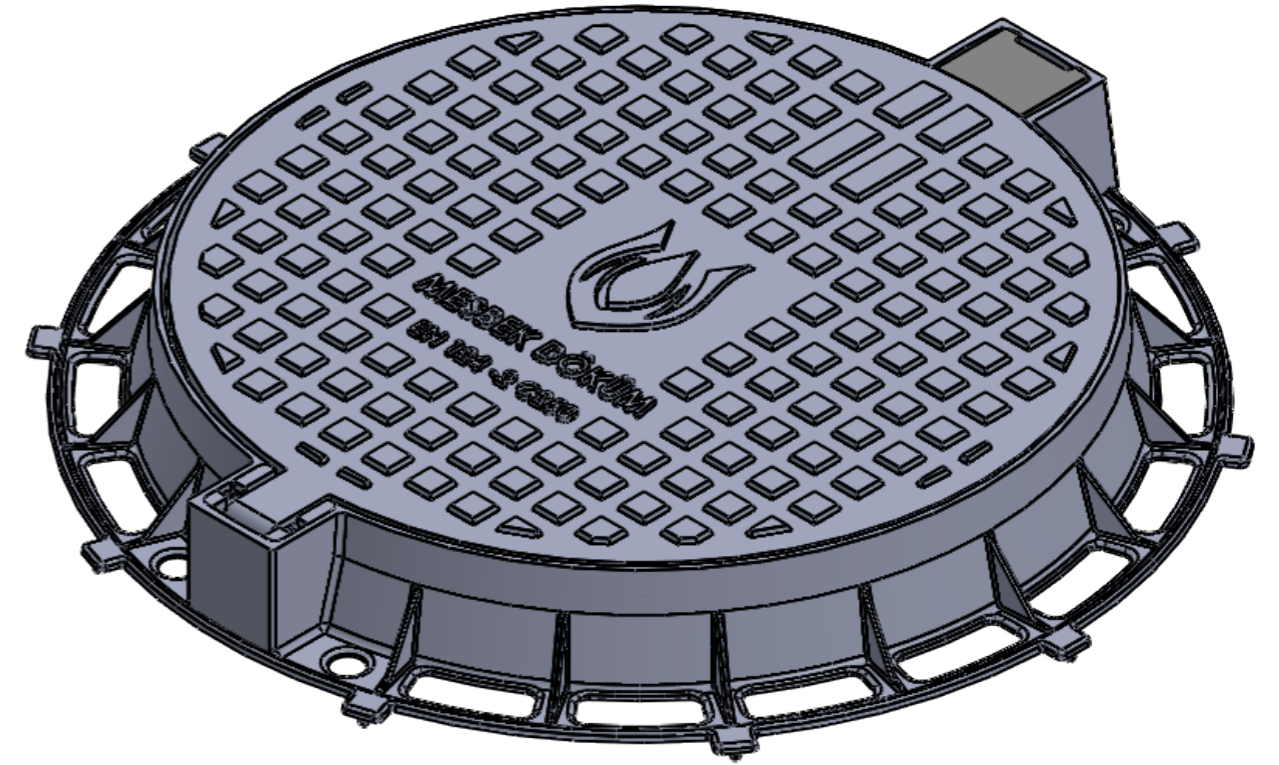
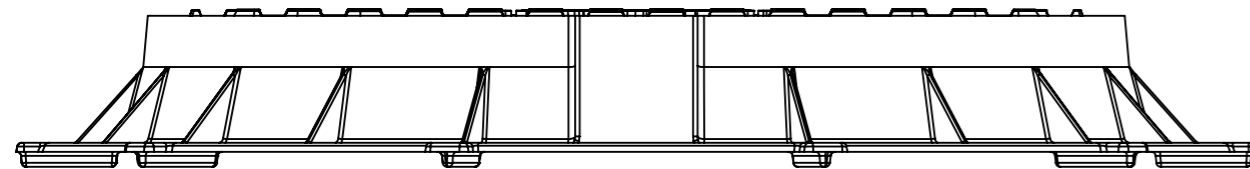


KESIT D-D
ÖLÇEKLE 1 : 5



KESIT C-C
ÖLÇEKLE 1 : 5



mesbek			
DESIGNER	M.DURSUN	PRODUCT NAME	
DESIGN DATE	19.10.2018	BACA KAPAĞI TAKIMI	
DESCRIPTION		PRODUCT CODE	MES 1041-3
		PROJECT CODE	
		CLASS	C 250
		STANDART	EN 124-2
REVISION		MATERIAL	GGG 50
REVISION DATE		WEIGHT	45 Kg