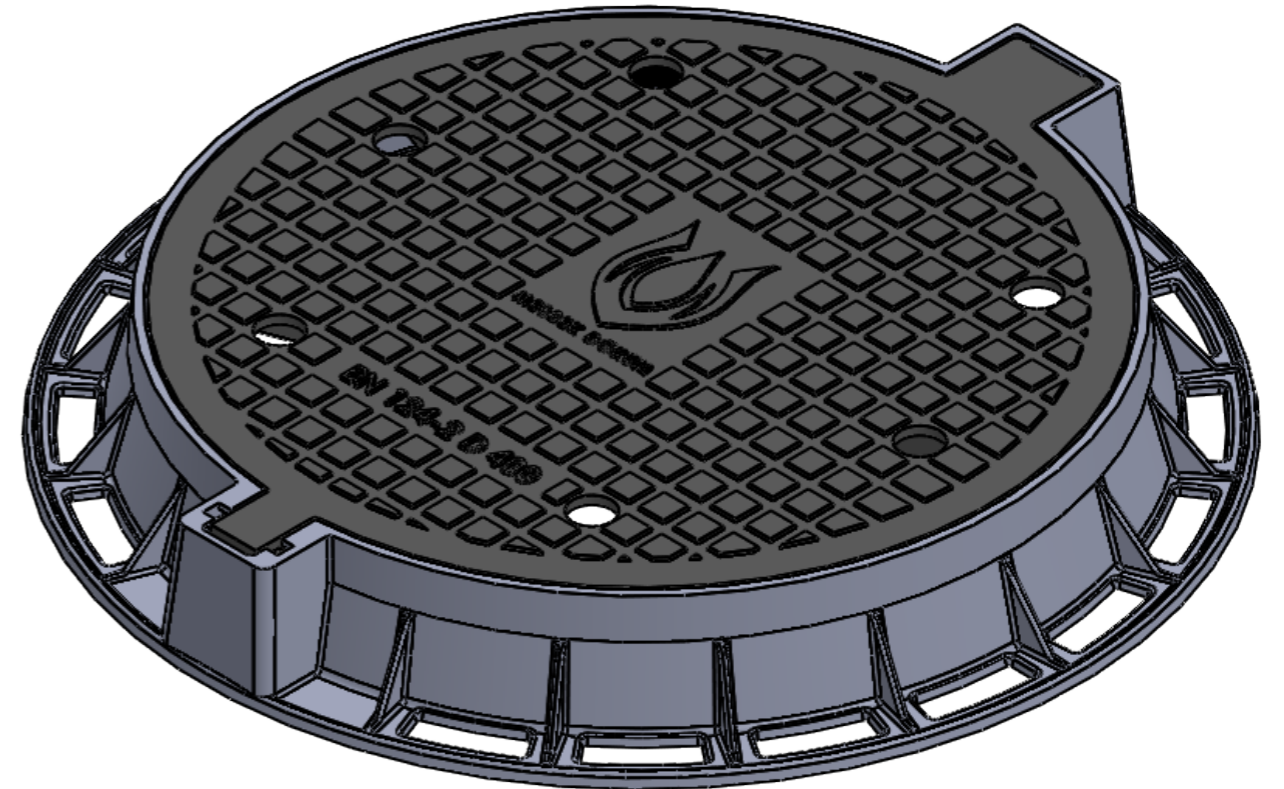
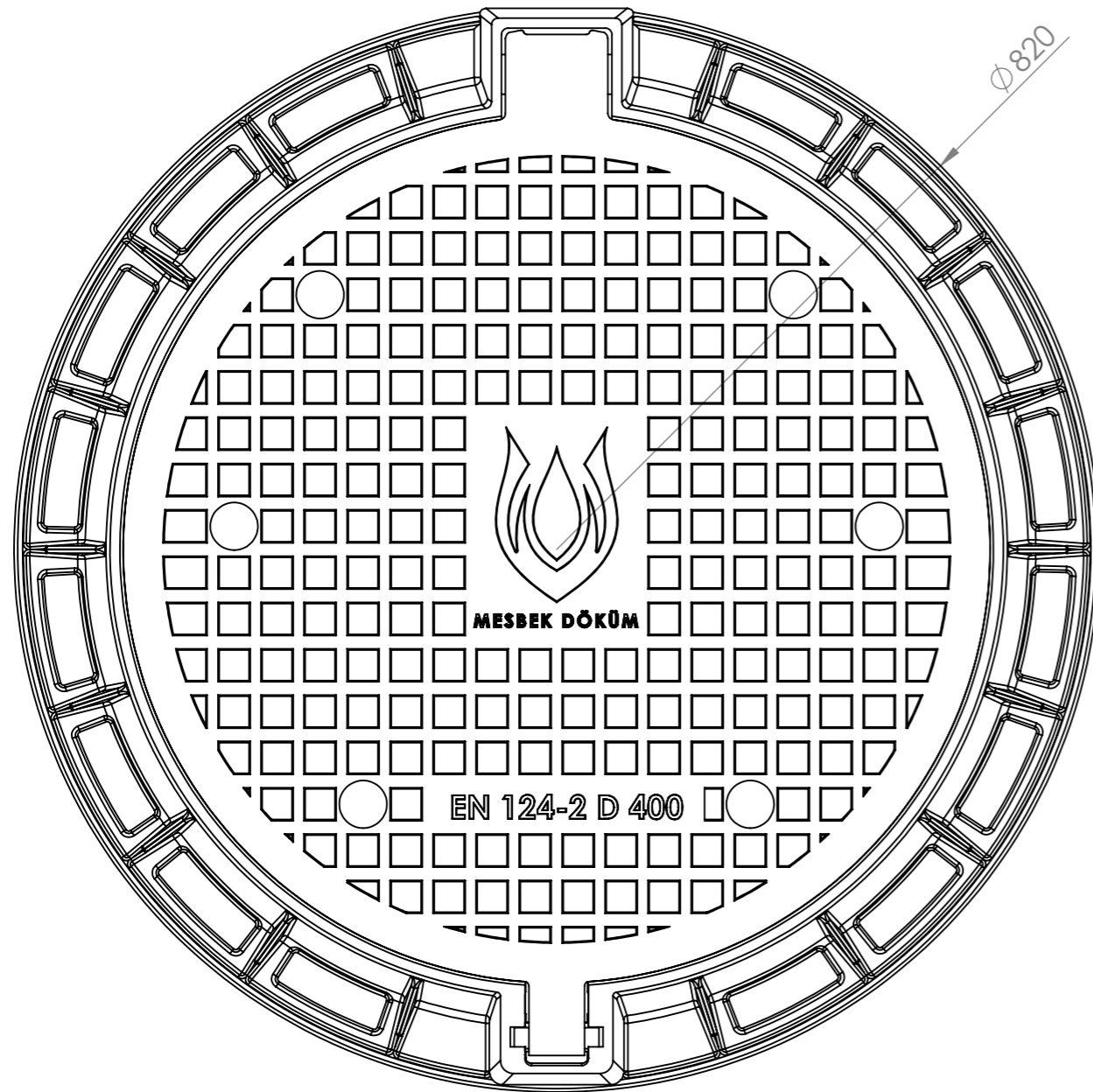
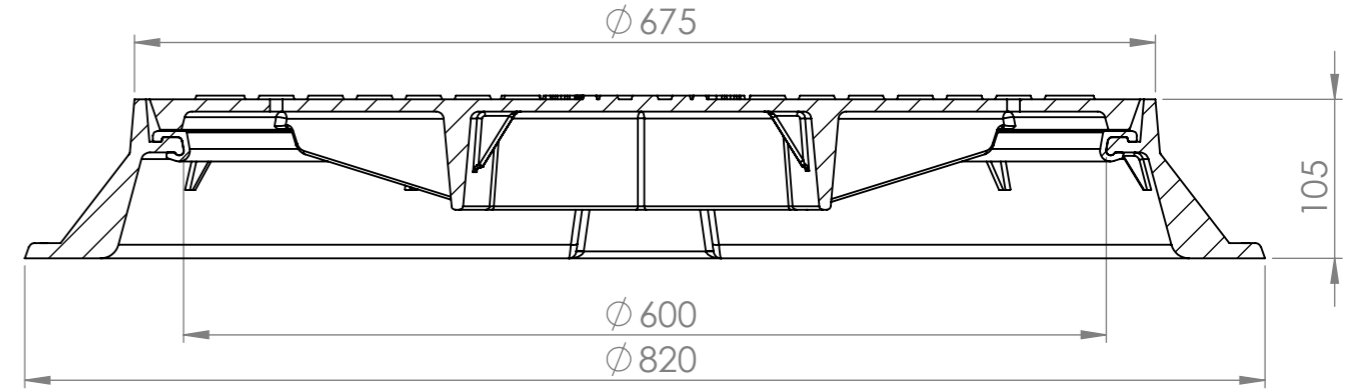
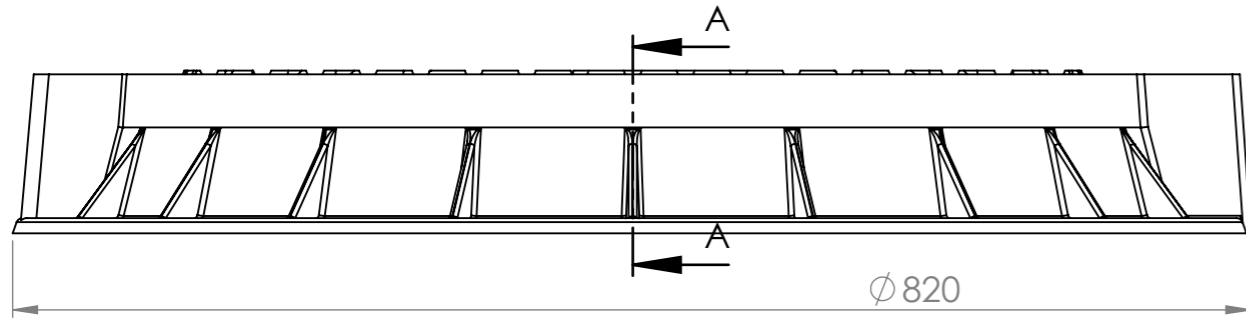


İKESIT A-A
ÖLÇEK 1 : 5



mesbek			
DESIGNER	M.DURSUN	PRODUCT NAME	
DESIGN DATE	19.10.2018	AĞIR YÜK BACA KAPAĐI	
DESCRIPTION		PRODUCT CODE	MES 1035-2
		PROJECT CODE	
		CLASS	D 400
		STANDART	EN 124-2
REVISION		MATERIAL	GGG 50
REVISION DATE		WEIGHT	56 kg